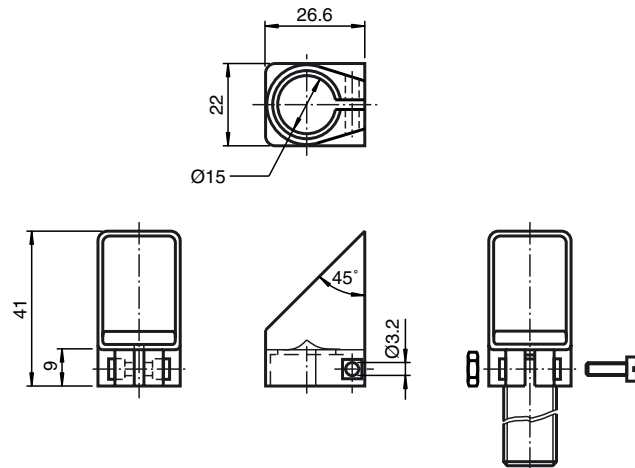


Dimensions



Model Number

UVW90-K18

Ultrasonic -deflector

Features

- Clamp mounting
- 90° sound deflection for difficult installation circumstances
- Universal Orientation

Function

Sound deflector for cylindrical ultrasonic sensors.

- Clamp mounting
- 90° sound deflection for difficult installation circumstances
- Universal installation position

On the underside of the slope the sound deflector has a hole over the complete width. Falling particle of dust can not congregate in the focusing attachment. The function is also guaranteed in dusty environment.

Technical data

Mechanical specifications

Material	PMMA
Mass	15 g